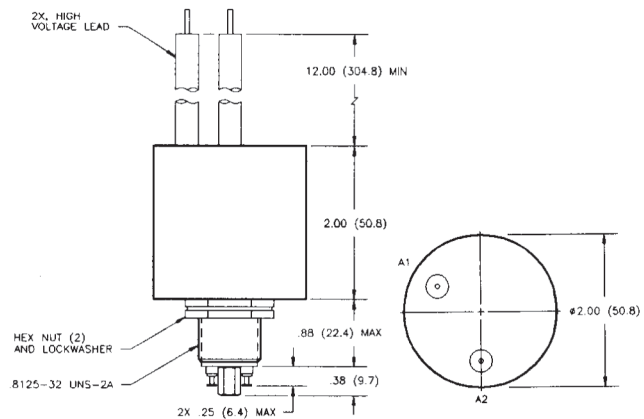


K61 Series Make Only Load Switching — 35 kV Relays

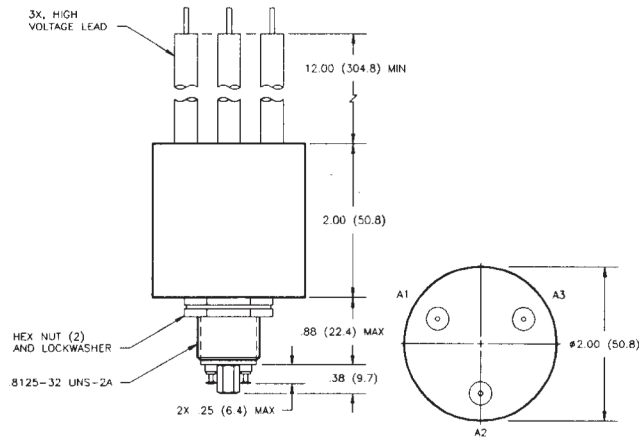
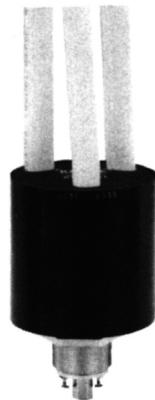
**K61A and K61B
Product Facts for
K61A and K61B**

- SF-6 gas-filled relay excellent for capacitive discharge applications
- Widely used in test equipment and medical instruments
- Fully operable in air and suitable for adverse environments



**K61C
Product Facts for K61C**

- 35 kV rating in compact, durable package
- SF-6 gas-filled relay excellent for capacitive discharge applications
- SPDT version of K61



**Product Specifications for
K61A, K61B and K61C**

Contact Arrangement —

- K61A — SPST-NO
- K61B — STST-NC
- K61C — SPDT

Contact Form —

- K61A — A
- K61B — B
- K61C — C

Test Voltage, DC or 60 Hz (Peak) —
40 kV

Rated Operating Voltage (Peak) —
DC or 60 Hz — 35 kV

Continuous Carry Current, Max. —
DC or 60 Hz — 10 A
Coil Hi-Pot (Vrms, 60 Hz) — 500 A

Contact Resistance, Max. —
1.0 ohm*

Operate Time, Max. — 15 ms

Release Time, Max. — 15 ms

Shock, 11ms, 1/2 Sine (Peak) —
20 g

For factory-direct application assistance,
dial 800-253-4560, ext. 2055, or
805-220-2055.

Vibration —

Peak — 10 g (55 to 500 Hz)

Operating Ambient Temperature

Range — -55°C to +85°C

Mechanical Life — 1 million cycles

Weight, Nominal — 340 g (12 oz.)

Note:

*Contact resistance for gas-filled
relays measured at 28 Vdc, 1 Amp

Coil Data

Volts, Nominal DC	12 V	26.5 V	115 V
Pickup, Max.	9 Vdc	18 Vdc	90 Vdc
Dropout	.5-5 Vdc	1-10 Vdc	5-50 Vdc
Coil Resistance (±10%)	30 Ω	125 Ω	2000 Ω

Ratings listed are for 25°C, sea level conditions

Ordering Information

Sample Part Number ▶ **K61 A 7 4 1**

Series: _____

Contact Form: _____
A = SPST-NO B = SPST-NC C = SPDT

Coil Voltage: _____
7 = 12 Vdc, Turret Terminal
8 = 26.5 Vdc, Turret Terminal
9 = 115 Vdc, Turret Terminal

High Voltage Connections: _____
4 = Flying Leads, 12"
7 = Flying Leads, 72"
8 = Flying Leads, 36"

Mounting: _____
1 = Threaded